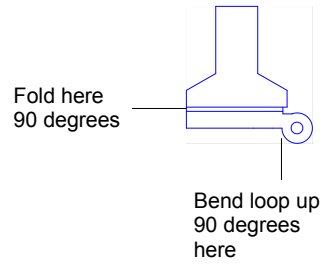
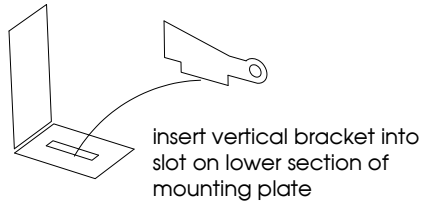
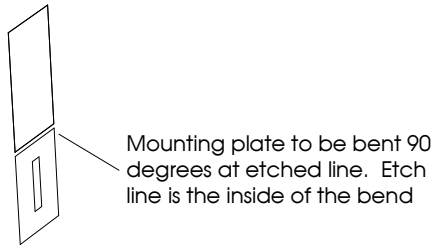
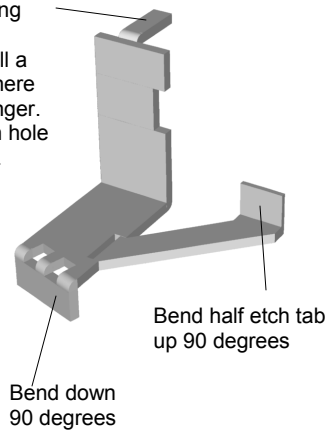


Plano Model Products #12001 Coupler Release Bar Brackets



Bend mounting pin back 90 degrees. Drill a #78 in car where you want hanger. CA hanger in hole once formed.



Bend arm up 90 degrees with tab on back side of bracket and CA in place

